



# *FLOATING BALL VALVE*



**YOUR SUCCESS IS OUR COMMITMENT**

**PT. Mossa Karya Utama**

# Floating Ball Valve

## Applicable Standards

- \* Basic design as per API 6D / API608 / ASME B 16.34 / BS 5351 / ISO 17292
- \* Face To Face as per ANSI B16.10 / API 6D / MFG'S STD (SW&NPT)
- \* End Flange as per ASME B16.5 / B16.25 / B16.11 / ASME B.1.20.1.
- \* Actuator mounting pad on the valve as per ISO 5211
- \* Wall thickness as per ASME B16.34
- \* Pressure Tests as per API 598 / API 6D
- \* Fire -Safe design as per API 607
- \* Visual inspection as per MSS-SP-55
- \* Valves shall be marked as per MSS-SP-25

## Configuration Range

- 1PC UNI-Body type
- 2PC Split Body type
- 3PC Split Body type

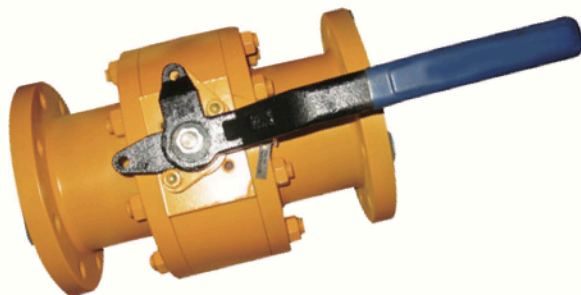
## Soft -seated & Metal-seated type

## Size Range

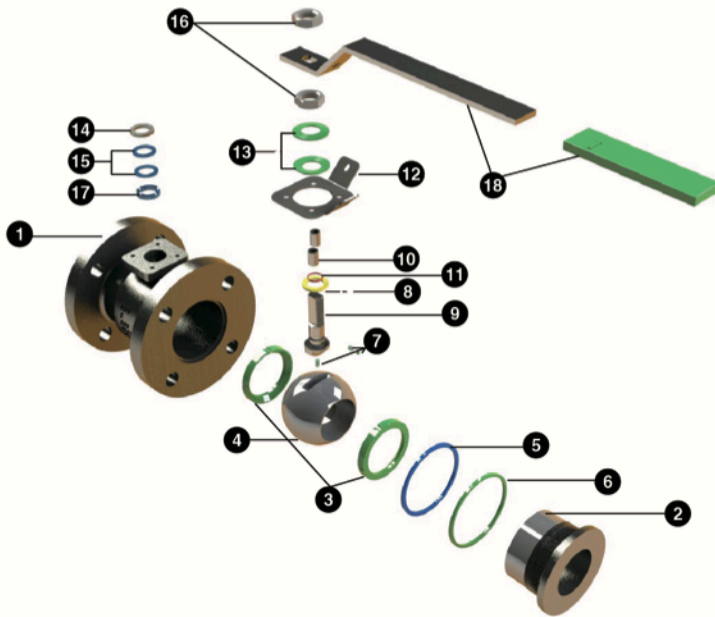
- 150 LB : NPS 1/2" ~ 12" Full Port & Reduce Port
- 300 LB : NPS 1/2" ~ 10" Full Port & Reduce Port
- 600 LB : NPS 1/2" ~ 6" Full Port & Reduce Port
- 800/900/1500LB
- NPS 1/2" ~ 6" Full Port & Reduce Port
- \*Long Pattern or Short Pattern ( On request )

## Actuator:

- \*Manual (Lever & Gear)
- \*Electric/Hydraulic/Pneumatic



## STANDARD FEATURES

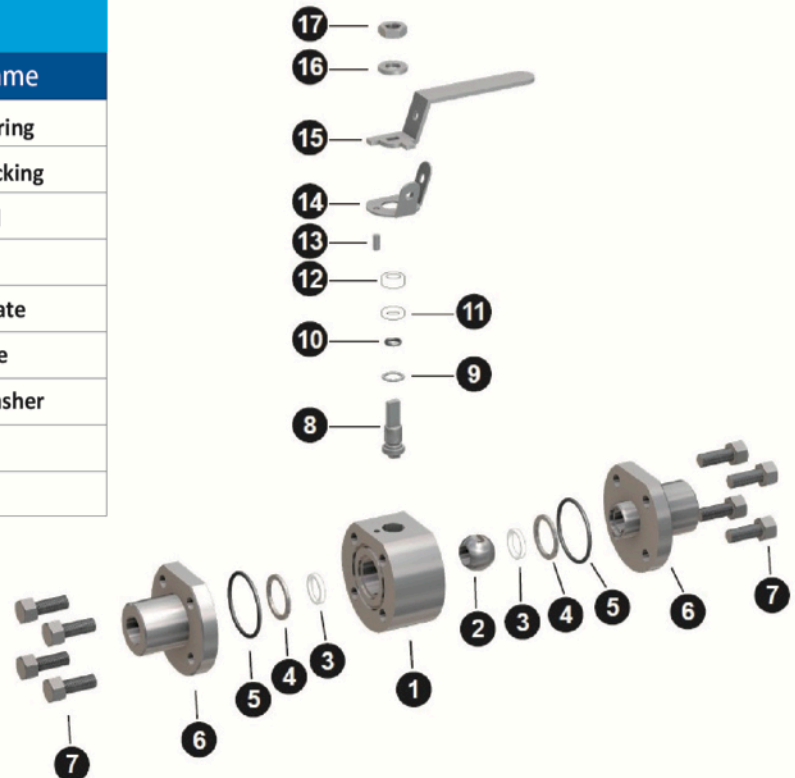


### Uni-Body Design

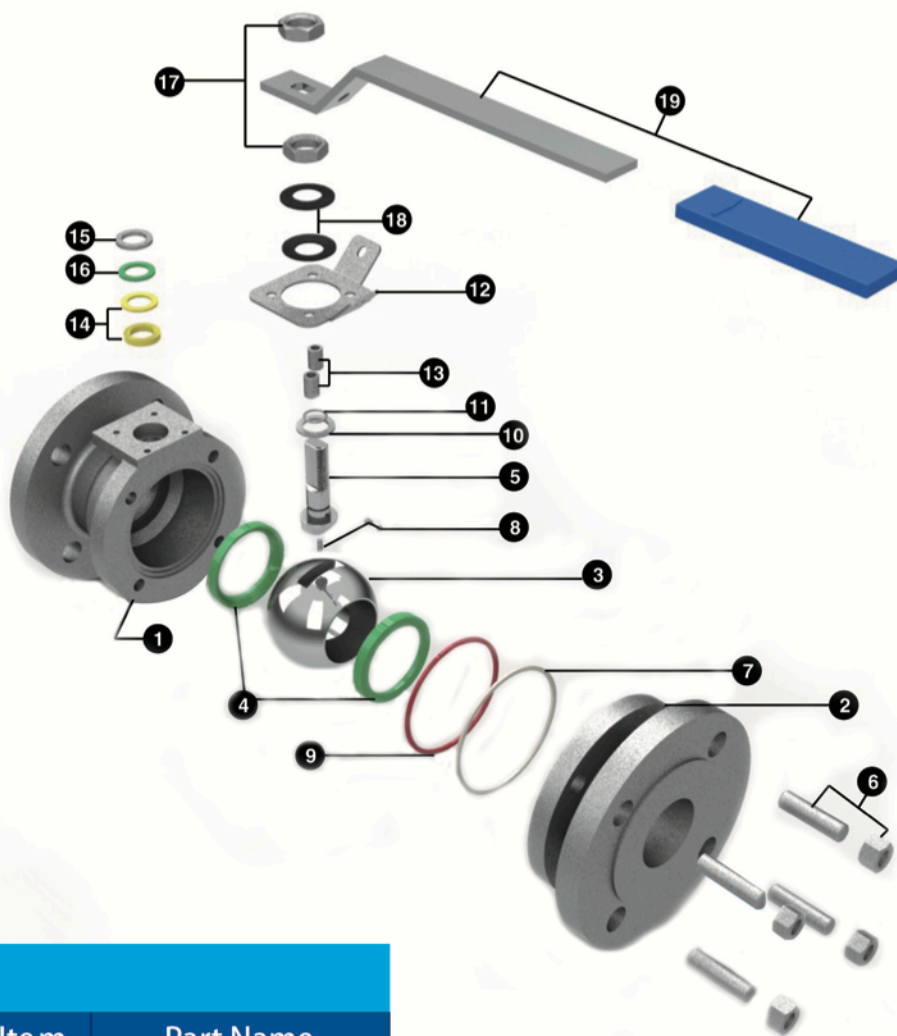
Item	Part Name	Item	Part Name
1	Body	10	Stop Pin
2	Closure	11	Stem O'ring
3	Seat	12	Stop Plate
4	Ball	13	Spring Washer
5	O'ring	14	Packing Follow
6	Gasket	15	Packing
7	Anti-Static Ball & Spring	16	Nut
8	Trust Bearing	17	Stem Washer
9	Stem	18	Lever

### 3PC Body Design

Item	Part Name	Item	Part Name
1	Body	10	Stem O'ring
2	Ball	11	Stem Packing
3	Seat	12	Gland
4	Gasket	13	Pin
5	O'ring	14	Lock Plate
6	Tail-Piece	15	Handle
7	Bolt	16	Plain Washer
8	Stem	17	Nut
9	Trust Washer		



## STANDARD FEATURES



### 2PC Body Design

Item	Part Name	Item	Part Name
1	Body	11	Stem O'ring
2	Tail-Piece	12	Stop Plate
3	Ball	13	Stop Pin
4	Seat	14	Packing
5	Stem	15	Packing Follow
6	Stud / Nut	16	Stem Washer
7	Fire-safe Gasket	17	Nut
8	Anti-Static Ball & Spring	18	Spring Washer
9	Body Seal Gasket	19	Lever
10	Trust Bearing		

## STANDARD FEATURES

### Split Body & Unibody Ball Valves

#### Main Materials Range

##### **Body :**

ASTM A216-WCB / ASTM A352-LCB, LCC / ASTM A351-CF8M,CF8,CF3M,CF3 CN7M / A890 4A  
 ASTM A105N /A350 LF2 , LF3, LF6 / A182-F316(L), F304(L), A182-F51,F53,F55 / 17-4PH

##### **Trim ( Ball / Stem ) :**

ASTM A105N+ENP(1Mil,2Mil,3Mil)/A350LF2,LF3, LF6 +ENP(1Mil,2 Mil,3Mil ) / A182-F316(L),F304(L),F51,F53,F55 / 17-4PH / Tungsten carbide for metal-seated type

##### **Seat:**

PTFE / RPTFE(Carbon Filled ) /RPTFE(Glass Filled ) /NYLON / DEVLON /PCTFE / PEEK  
 Tungsten carbide for metal-seated type

##### **Fire-Safe Seal:**

Graphite/SPW.316+Graphite/SPW.Monel+Graphite/SPW.Inconel+Graphite

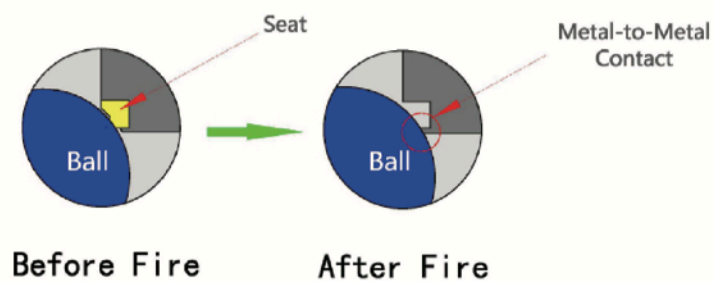
##### **Bolt/Nut :**

ASTM A193 GR B7(M) / A194 GR 2H(M) , ASTM A 320 Gr. L7(M)/ASTM A 194 Gr. 4 (7) , ASTM A 320 Gr. B8 (M)/ASTM A 194 Gr. 8(M),F51

##### **NACE Compliance :**

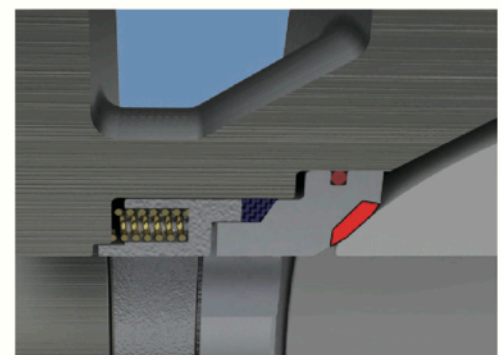
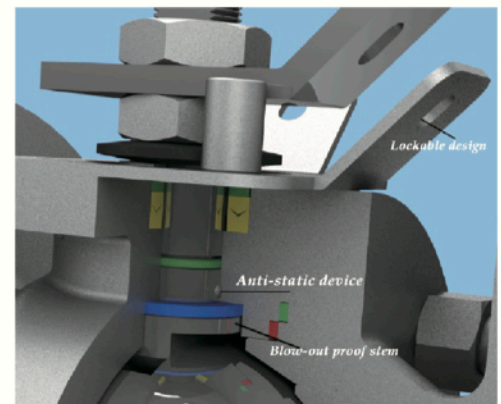
NACE MR 0175 / NACE MR 0103

(Note : Materials not listed above can be offered on request.)



#### Design Features & Benefits

- Anti-static device
- Blow-out proof stem
- Fire safe design approved
- Lockable design
- Low Operating Torque



**Metal seated**

# SPLIT BODY FLOATING BALL VALVE

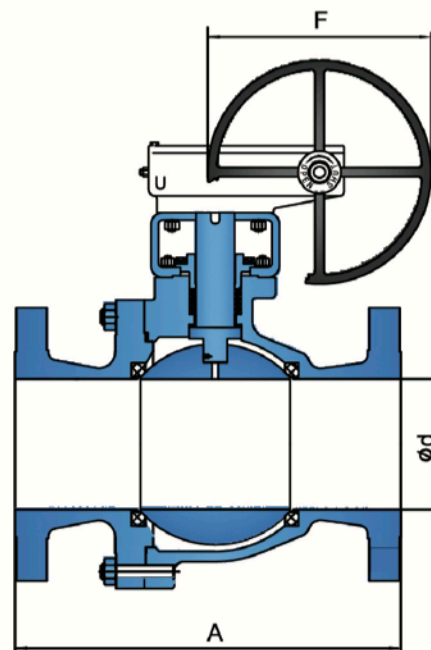
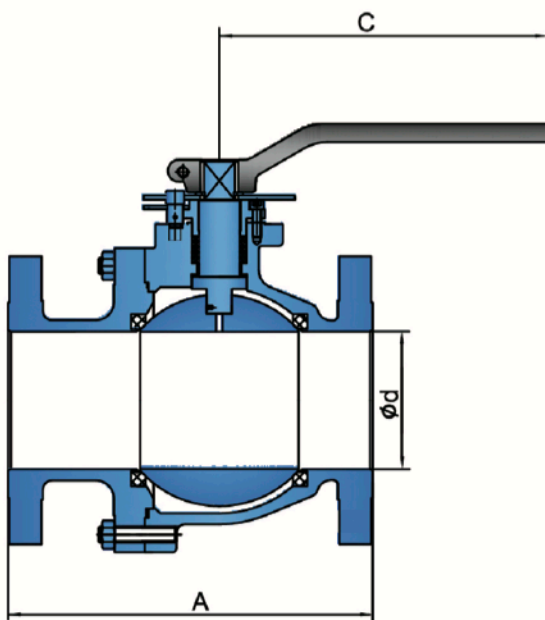
## Model 150/300 I (Full Bore)

### Dimensions

Face to Face	ASME B16.10 Long Pattern
End Flange	ASME B 16.5
Rating	ASME Class 150-300

### Standard Materials

Part	Carbon steel valve	Stainless steel valve
Body/Cap	A216 WCB	A351 CF8M
Ball/Stem	316SS	316SS
Seats	RTFE	RTFE



### Class 150 • Full Bore

Dimensions in inches

Valve Size	3/4" 20mm	1" 25mm	1-1/2" 40mm	2" 50mm	2-1/2" 65mm	3" 80mm	4" 100mm	6" 150mm	8" 200mm	10" 250mm	12" 250mm
Bore Size (d)	0.75	1.00	1.50	2.00	2.50	3.00	4.00	6.00	8.00	10.00	12.00
Face to Face (A)	RF 4.61	5.00	6.50	7.01	7.52	7.99	9.02	15.51	17.99	20.98	24.02
Handle Length (C)	7.28	7.28	9.84	9.84	15.75	15.75	18.11	33.46	-	-	-
Handwheel Diameter (F)	-	-	-	-	-	-	-	15.75	18.11	23.62	23.62
Approx. Weight (lbs.)	8	11	15	24	32	48	88	200	437	709	1130

### Class 300 • Full Bore

Dimensions in inches

Valve Size	3/4" 20mm	1" 25mm	1-1/2" 40mm	2" 50mm	2-1/2" 65mm	3" 80mm	4" 100mm	6" 150mm	8" 200mm	10" 250mm	12" 250mm
Bore Size (d)	0.75	1.00	1.50	2.00	2.50	3.00	4.00	6.00	8.00	10.00	12.00
Face to Face (A)	RF 5.98	6.50	7.48	8.50	9.49	11.14	12.01	17.99	19.76	22.36	25.51
Handle Length (C)	7.28	7.28	7.28	9.84	15.75	15.75	31.30	31.30	-	-	-
Handwheel Diameter (F)	-	-	-	-	-	-	-	15.75	19.69	27.56	27.56
Approx. Weight (lbs.)	8	11	15	30	56	73	115	268	474	890	1426

# SPLIT BODY FLOATING BALL VALVE

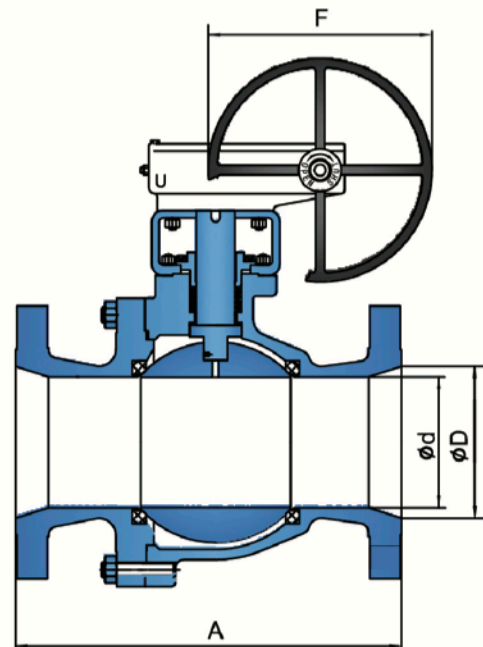
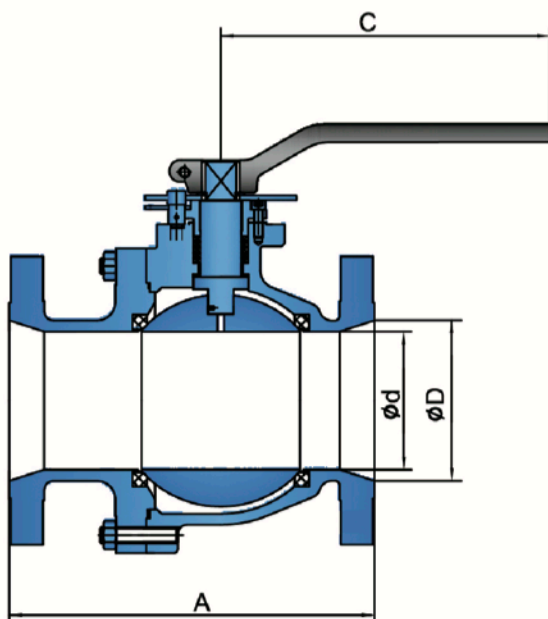
## Model 150/300 II (Reduce Bore)

### Dimensions

Face to Face	ASME B16.10 Short Pattern
End Flange	ASME B 16.5
Rating	ASME Class 150-300

### Standard Materials

Part	Carbon steel valve	Stainless steel valve
Body/Cap	A216 WCB	A351 CF8M
Ball/Stem	316SS	316SS
Seats	RTFE	RTFE



### Class 150 • Reduce Bore

Dimensions in inches

Valve Size	2" 50mm	2-1/2" 65mm	3" 80mm	4" 100mm	6" 150mm	8" 200mm	10" 250mm	12" 250mm
Bore Size (d)	1.50	2.00	2.50	3.00	4.00	6.00	8.00	10.00
Face to Face (A)	RF	7.52	7.99	9.02	15.51	17.99	20.98	24.02
Handle Length (C)	9.84	15.75	15.75	15.75	18.11	33.46	-	-
Handwheel Diameter (F)	-	-	-	-	-	15.75	19.69	23.62
Approx. Weight (lbs.)	22	34	37	63	175	310	421	676

### Class 300 • Reduce Bore

Dimensions in inches

Valve Size	2" 50mm	2-1/2" 65mm	3" 80mm	4" 100mm	6" 150mm	8" 200mm	10" 250mm	12" 250mm
Bore Size (d)	1.50	2.00	2.50	3.00	4.00	6.00	8.00	10.00
Face to Face (A)	RF	8.50	9.49	11.14	12.01	17.99	19.76	22.36
Handle Length (C)	9.84	15.75	15.75	15.75	31.30	31.30	-	-
Handwheel Diameter (F)	-	-	-	-	-	15.75	19.69	23.62
Approx. Weight (lbs.)	31	65	111	63	175	317	605	1170

# SPLIT BODY FLOATING BALL VALVE

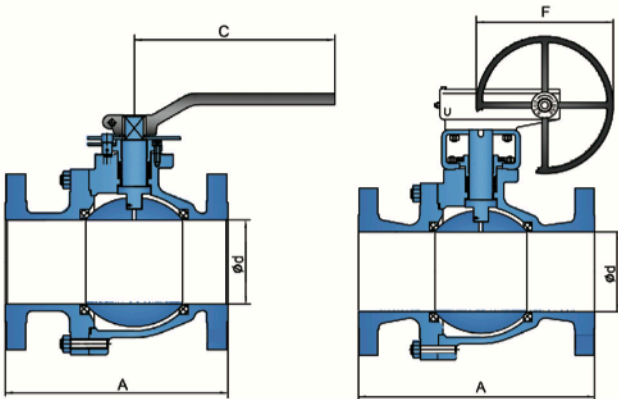
## Model 600 I/II (Full Bore & Reduce Bore)

### Dimensions

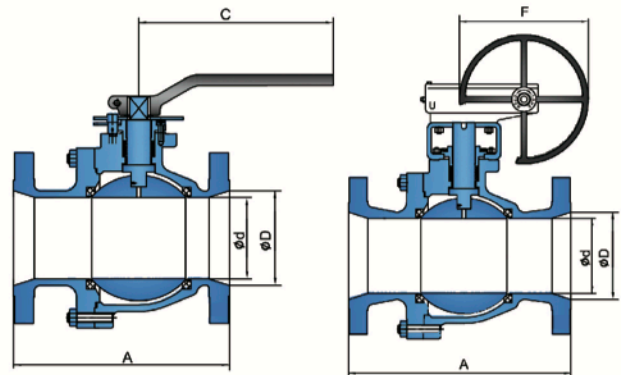
Face to Face	ASME B16.10
End Flange	ASME B 16.5
Rating	ASME Class 600

### Standard Materials

Part	Carbon steel valve	Stainless steel valve
Body/Cap	A216 WCB	A351 CF8M
Ball/Stem	316SS	316SS
Seats	Nylon	Nylon



(Full Bore)



(Reduce Bore)

### Class 600 • Full Bore

Dimensions in inches

Valve Size	1" 25mm	1-1/2" 40mm	2" 50mm	3" 80mm	4" 100mm	6" 150mm
Bore Size (d)	1.00	1.50	2.00	3.00	4.00	6.00
Face to Face (A)	RF 8.50	9.49	11.50	14.02	17.01	22.01
Handle Length (C)	7.28	9.84	15.75	31.50	35.43	35.43
Handwheel Diameter (F)	-	-	-	-	-	-
Approx. Weight (lbs.)	11	30	39	65	139	270

### Class 600 • Reduced Bore

Dimensions in inches

Valve Size	2" 50mm	3" 80mm	4" 100mm	6" 150mm
Bore Size (d)	1.50	2.00	3.00	4.00
Face to Face (A)	RF 11.50	14.02	17.01	22.01
Handle Length (C)	15.75	31.50	35.43	35.43
Handwheel Diameter (F)	-	-	-	-
Approx. Weight (lbs.)	39	65	139	270



*Your Success is Our Commitment*

[www.mkucorp.com](http://www.mkucorp.com)

**Office :**

Jl. Maple Timur 3 Blok CC 08,  
Summarecon Bekasi, Jawa Barat

Jl. Palem Raja No 12 Taman Beverly  
Lippo Cikarang, Bekasi, Jawa Barat

**Email :**

[Info@mkucorp.com](mailto:Info@mkucorp.com)

**Phone :**

021 - 29450182